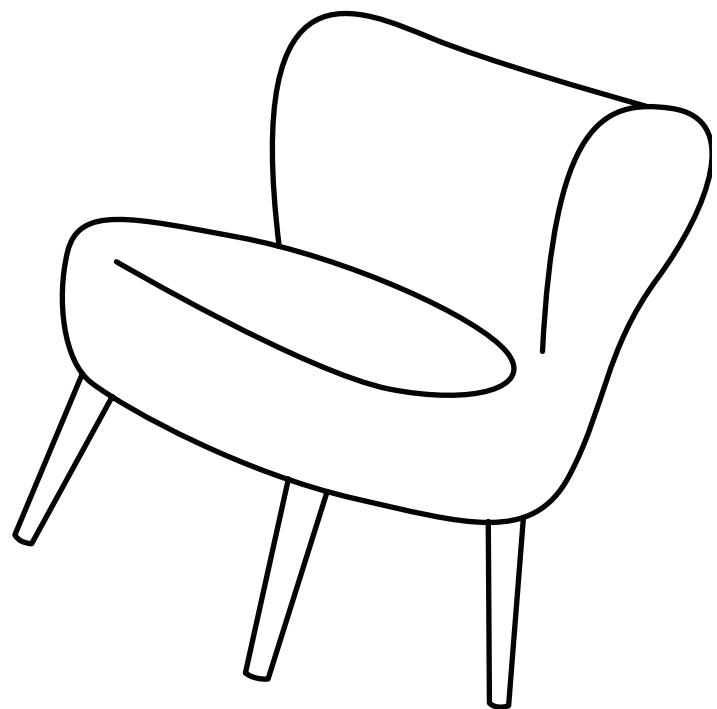
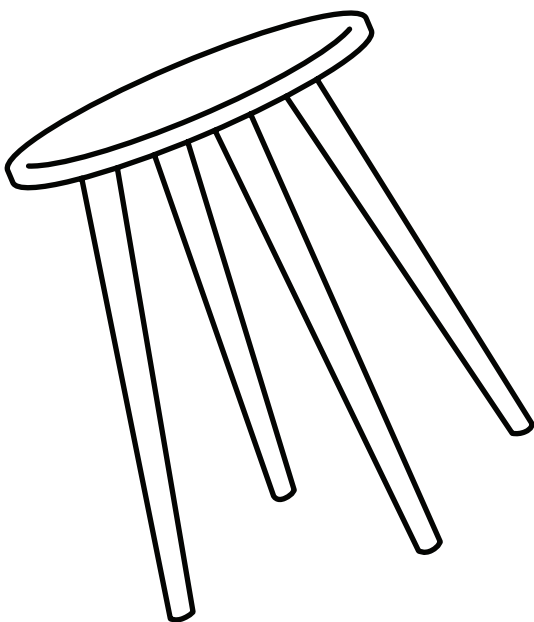


Hello, I've arrived!

Now that I'm here you are only one
flat-pack away from transforming
your home.



Mocka.

Thank you for supporting us.

We believe design belongs to everyone. From materials and processes to safety testing, production and delivery, we are passionate and committed to bringing you the best possible product so you can create beautifully functional spaces to feel comfortably you.

Here are a few assembly tips before you get started:



Make Time

The first step to all seamless assembly is taking a moment to carefully read through the instructions—you are already on your way to creating a beautifully functional space!



Set The Mood

Put on your favourite playlist, order that pizza and pour yourself a drink to get in the mood!



Tool Check

Layout the instructions, screws and panels to check you have everything you need. A blanket or soft floor rug will help protect your new favourite item from scratches and a drill will speed up the assembly too!



Room Reveal

You did it! Take a step back and enjoy the moment. Don't forget to recycle any packaging and share a pic of your room reveal—we love seeing how you transform your home! **Tag us @mockaaustralia/@mockaanz**

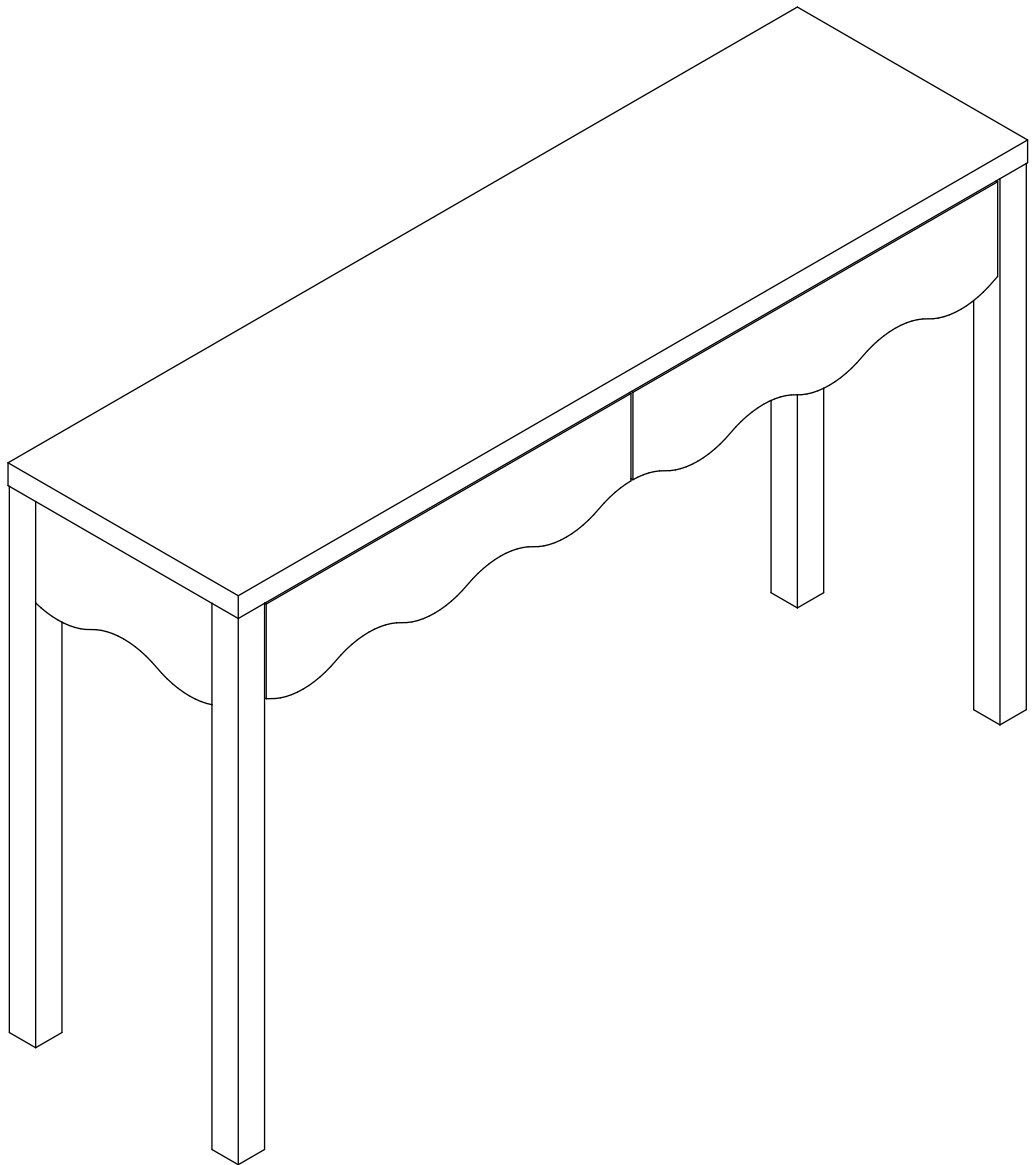
Happy flat-packing!

The Mokka Team

Malena

Console Table

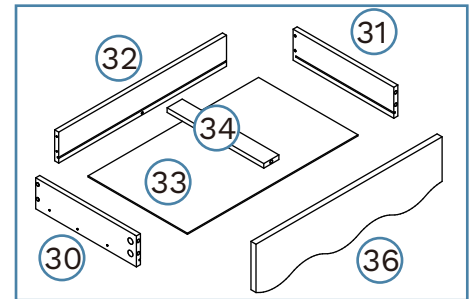
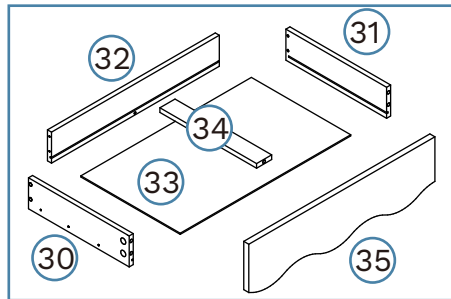
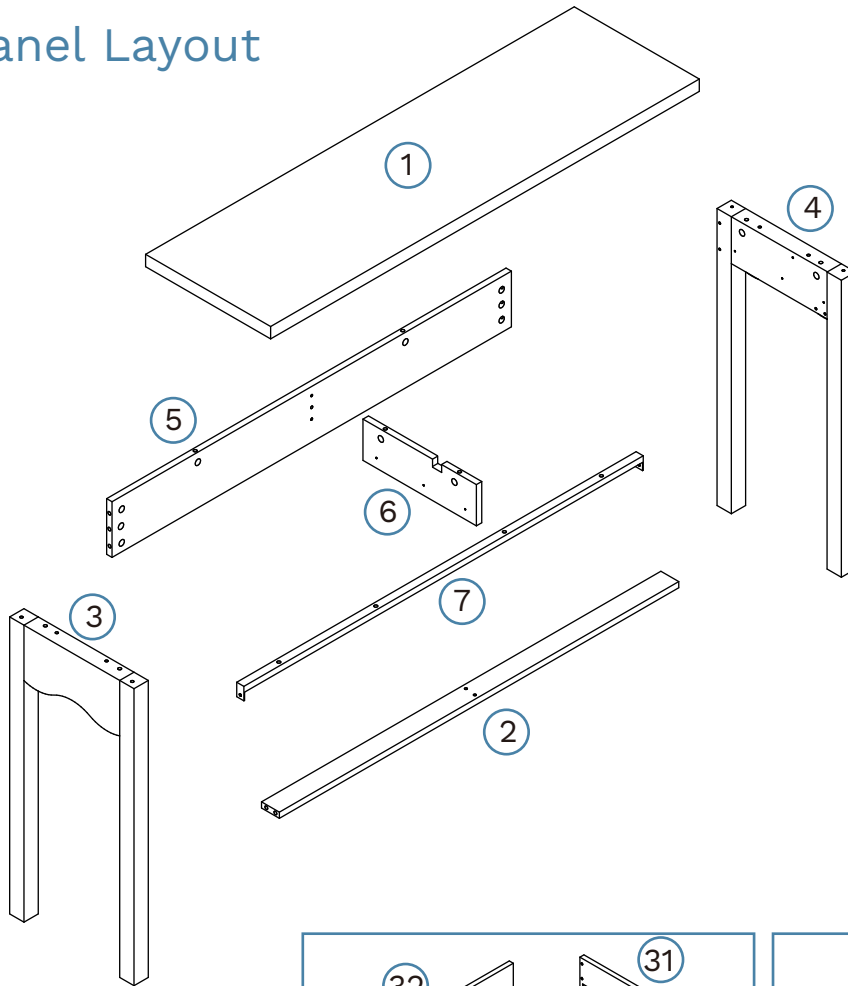
Thank you for your purchase. Please follow the instructions for correct assembly. While we took great effort to ensure these assembly instructions were correct at the time of printing, sometimes updates are required post production. For the most up to date versions please refer to the product page on our website. mocka.com.au/mocka.co.nz



Malena

Console Table

Panel Layout

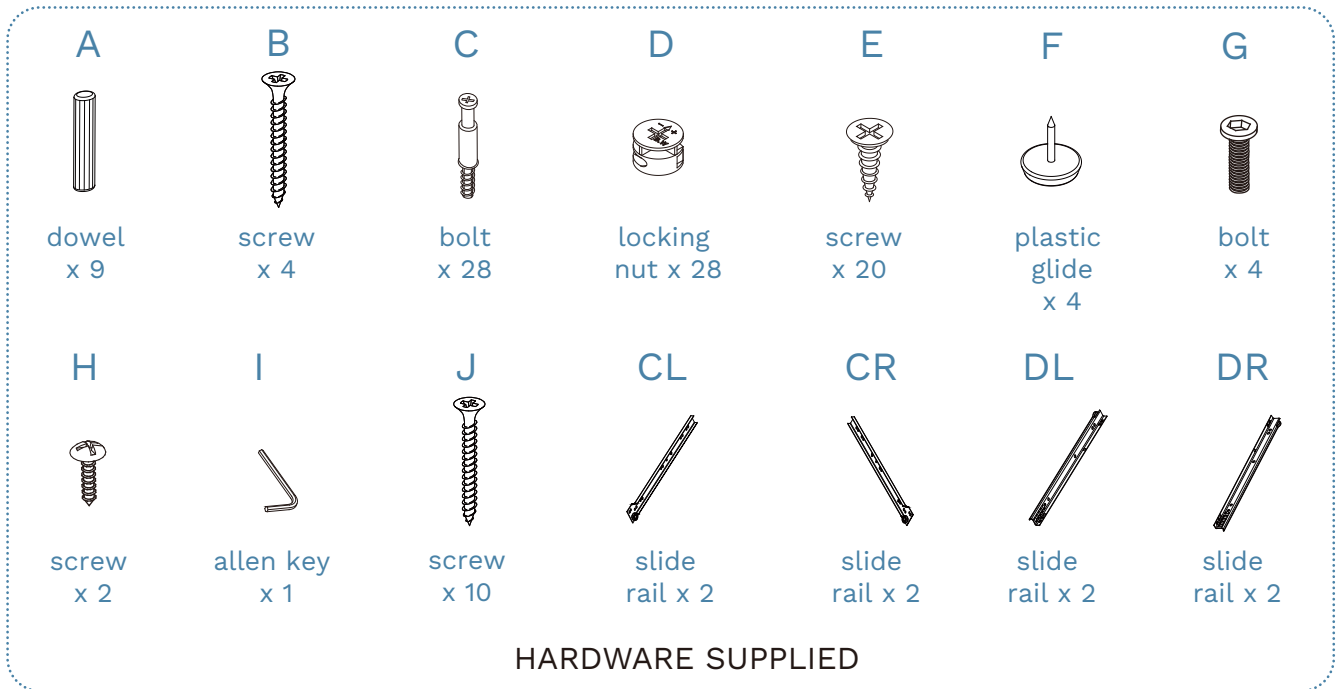


Partlist

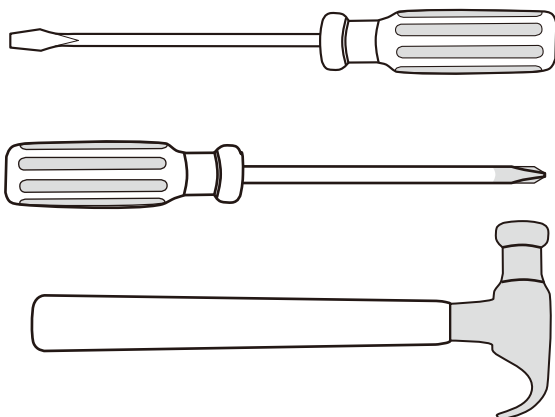
①	Top Panel	x1	③①	Left Drawer Side	x2
②	Rail	x1	③②	Right Drawer Side	x2
③	Left Side Panel	x1	③③	Drawer Back	x2
④	Right Side Panel	x1	③④	Drawer Base	x2
⑤	Back Panel	x1	③⑤	Rail	x2
⑥	Divider	x1	③⑥	Drawer Front	x1
⑦	Rail	x1	③⑦	Drawer Front	x1

Malena

Console Table



WARNING: Any furniture that is not anchored to a wall has the potential to tip over in certain circumstances, i.e. if a child attempts to climb up on the furniture or in the event of an earthquake. Accordingly, we recommend that all furniture is anchored to a wall. We supply a free safety wall anchor with all furniture sold and we recommend these are used to prevent your product tipping. The fixing device provided should fit most wall types, but please note that different wall materials may require different fixing devices from those supplied.



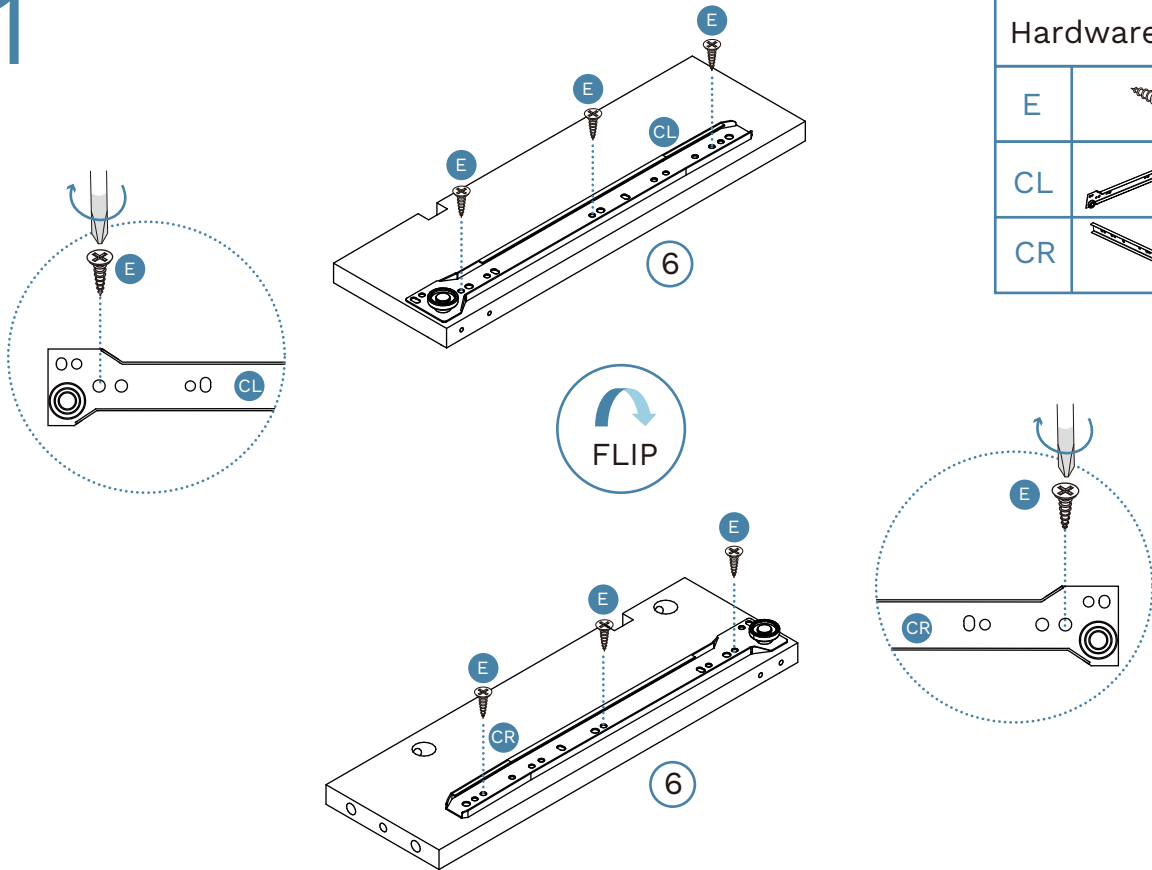
Phillips & Flathead screwdrivers
and hammer required




**For quicker assembly, we recommend the
use of a power drill on a low-speed setting.**

Malena

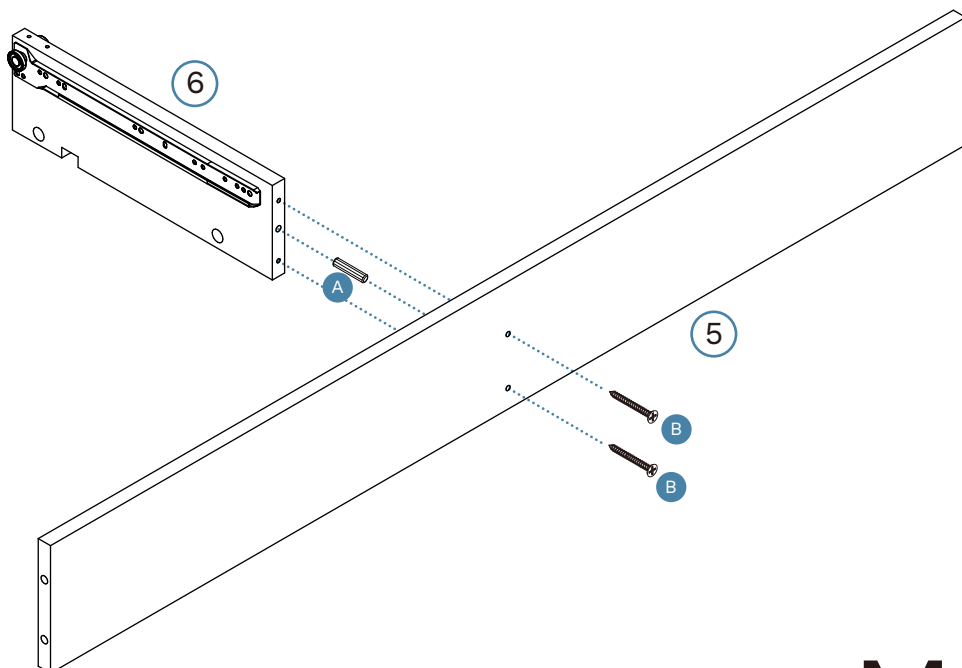
Console Table

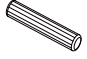

1



Hardware Needed		
E		x6
CL		x1
CR		x1

2

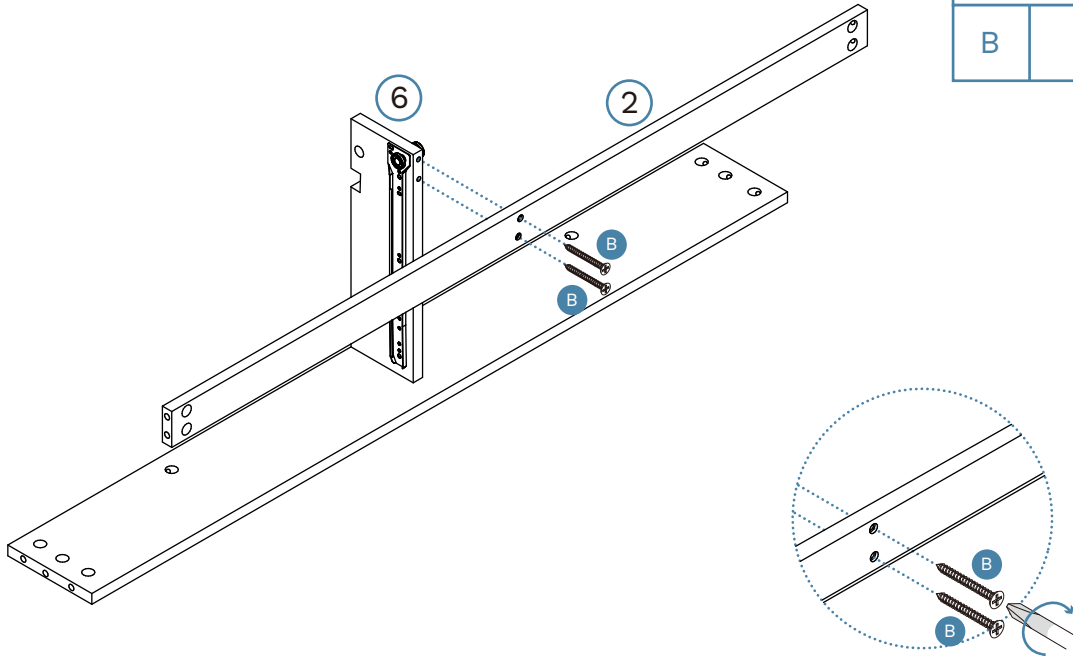



Hardware Needed		
A		x1
B		x2

Malena

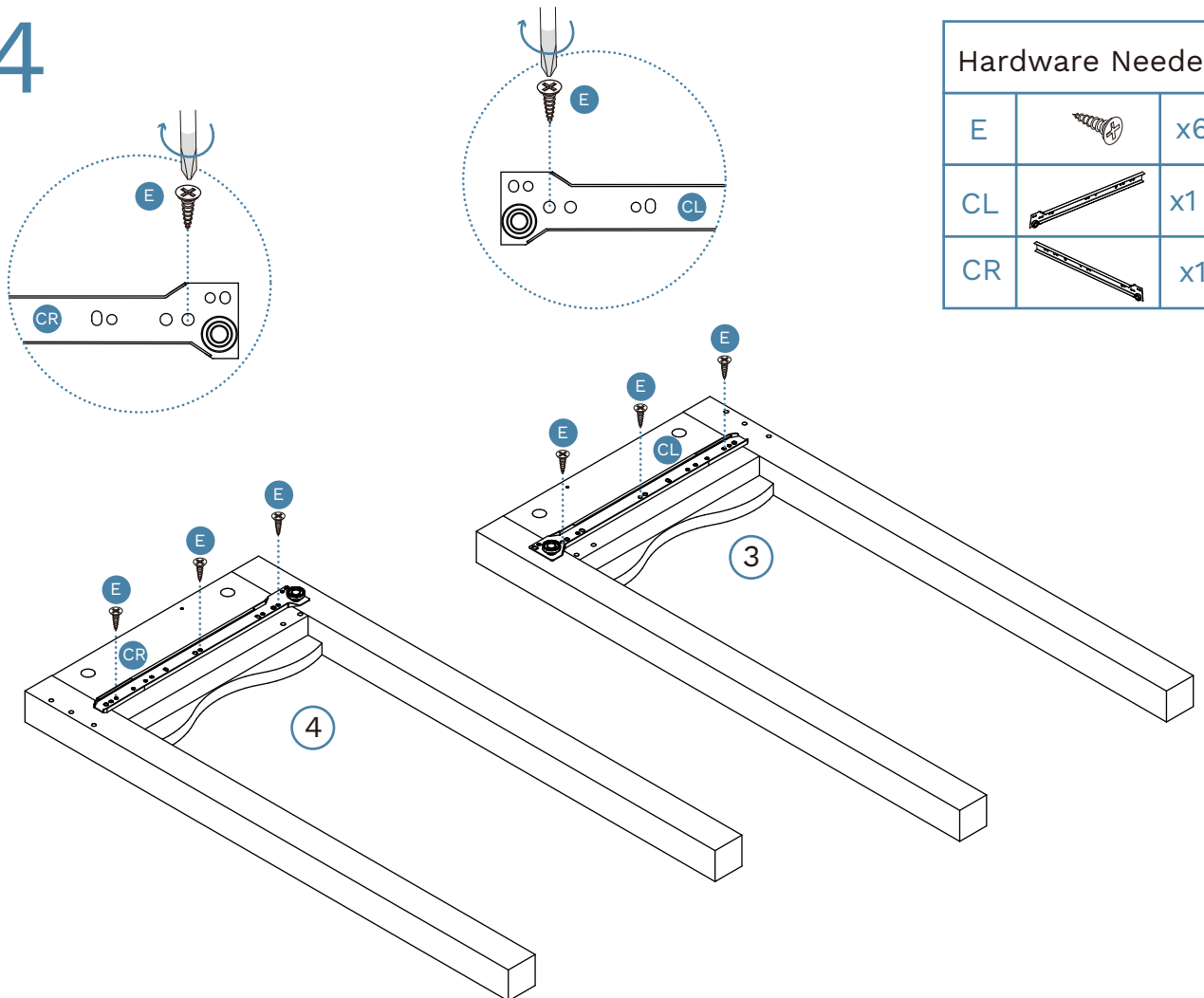
Console Table




3



Hardware Needed		
B		x2

4

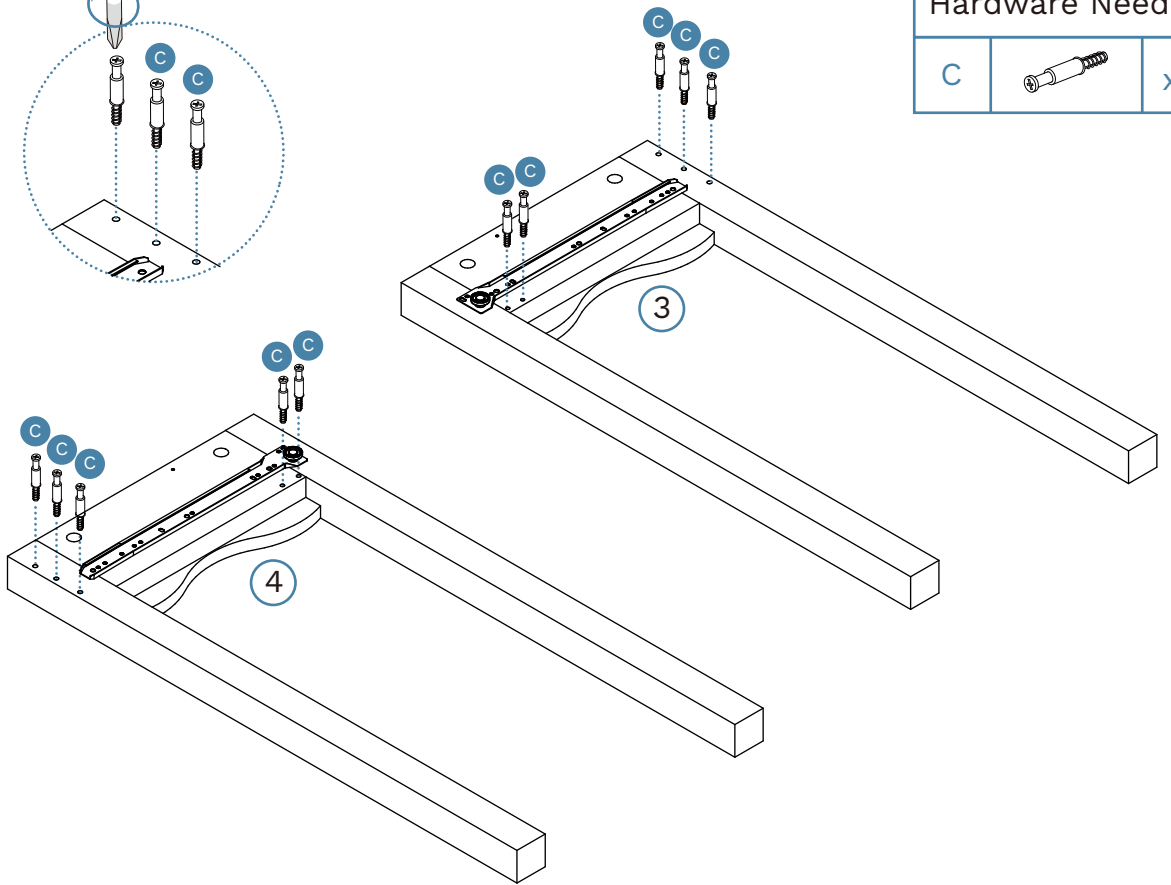
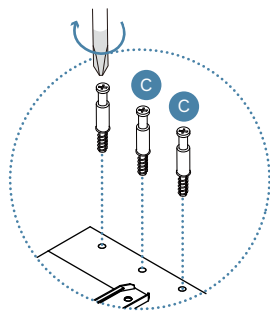


Hardware Needed		
E		x6
CL		x1
CR		x1


Malena

Console Table

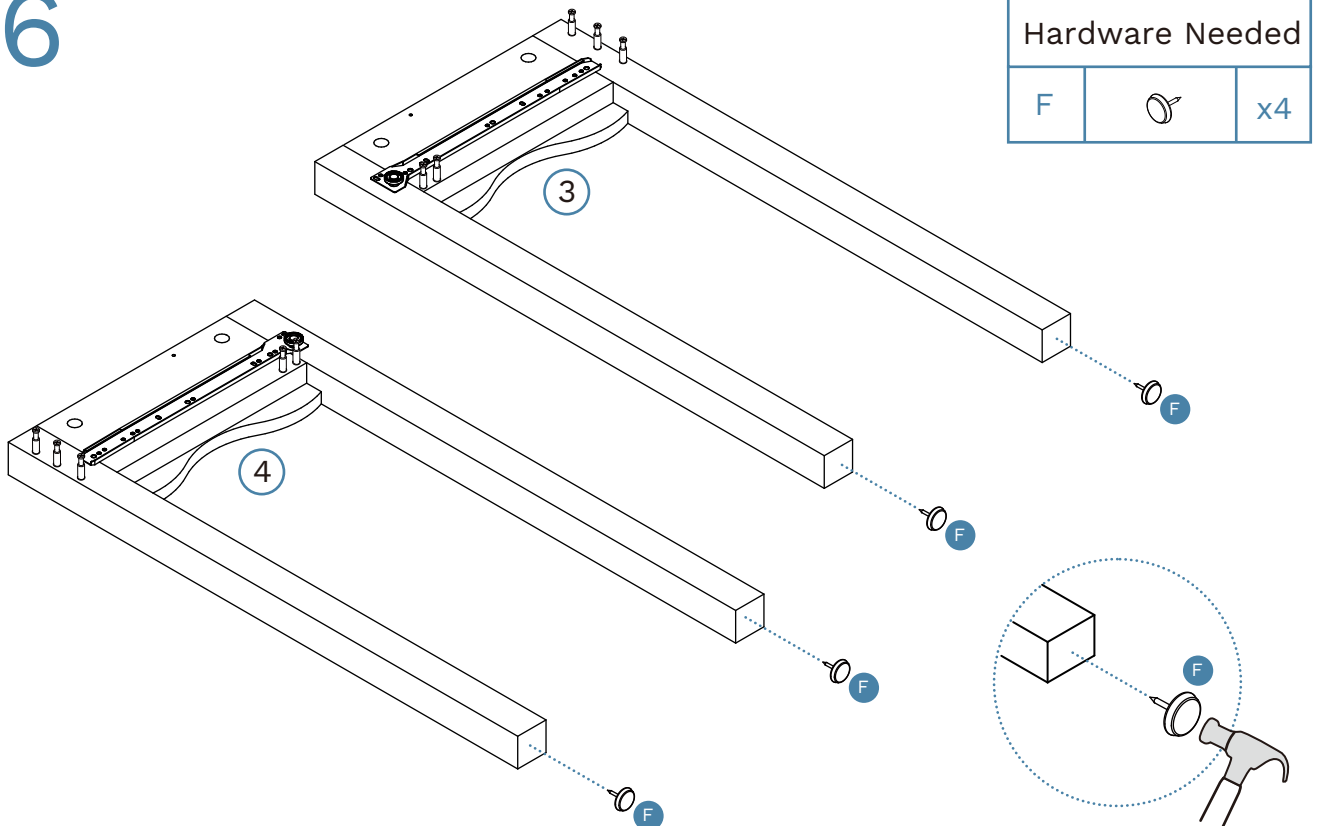
5



Hardware Needed

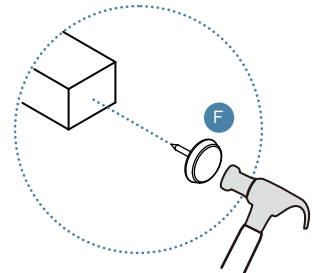
C		x10
---	---	-----

6



Hardware Needed

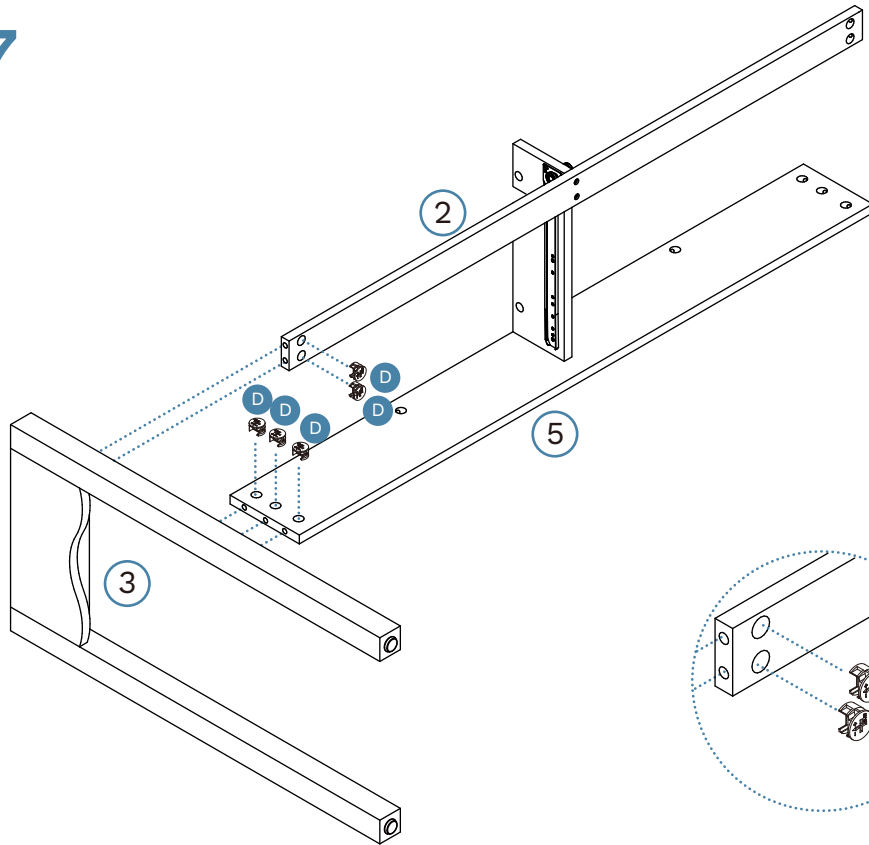
F		x4
---	---	----



Malena

Console Table

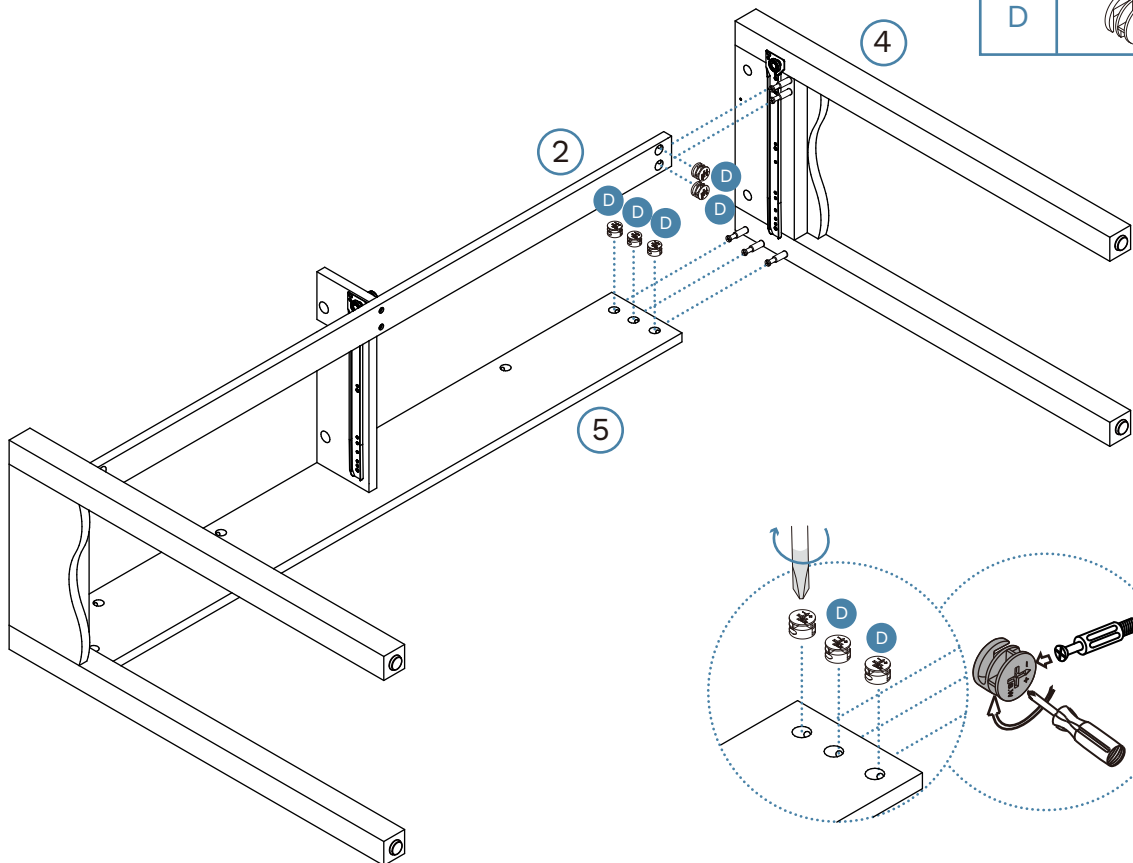
7




Hardware Needed

D		x5
---	---	----

8



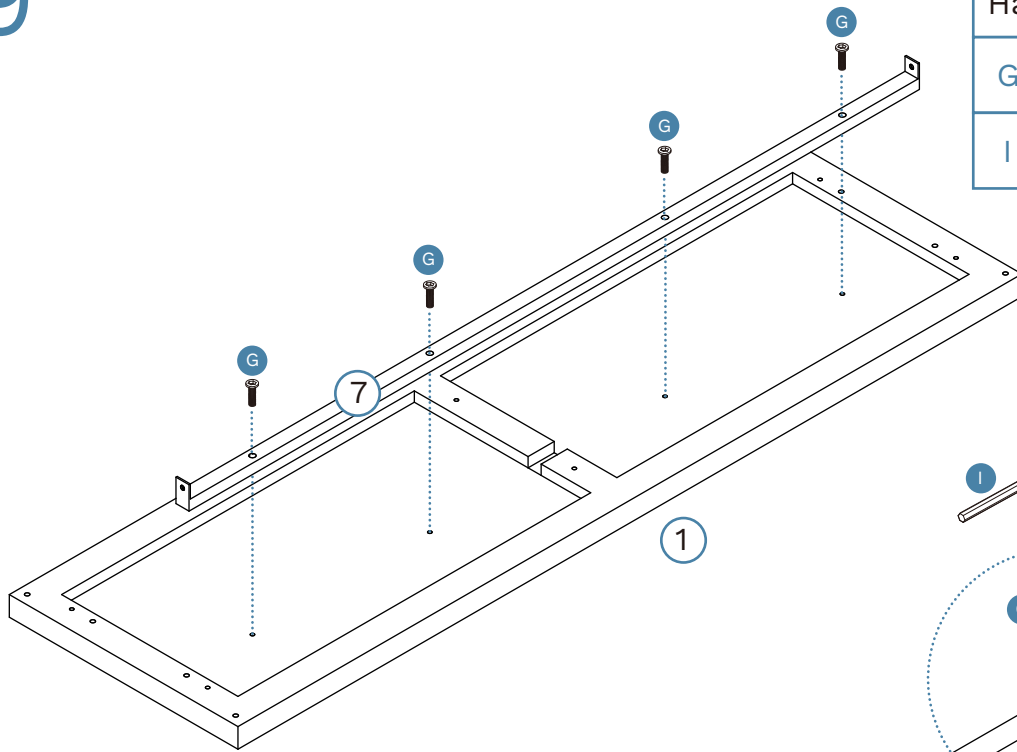
Hardware Needed



D		x5
---	---	----

Malena

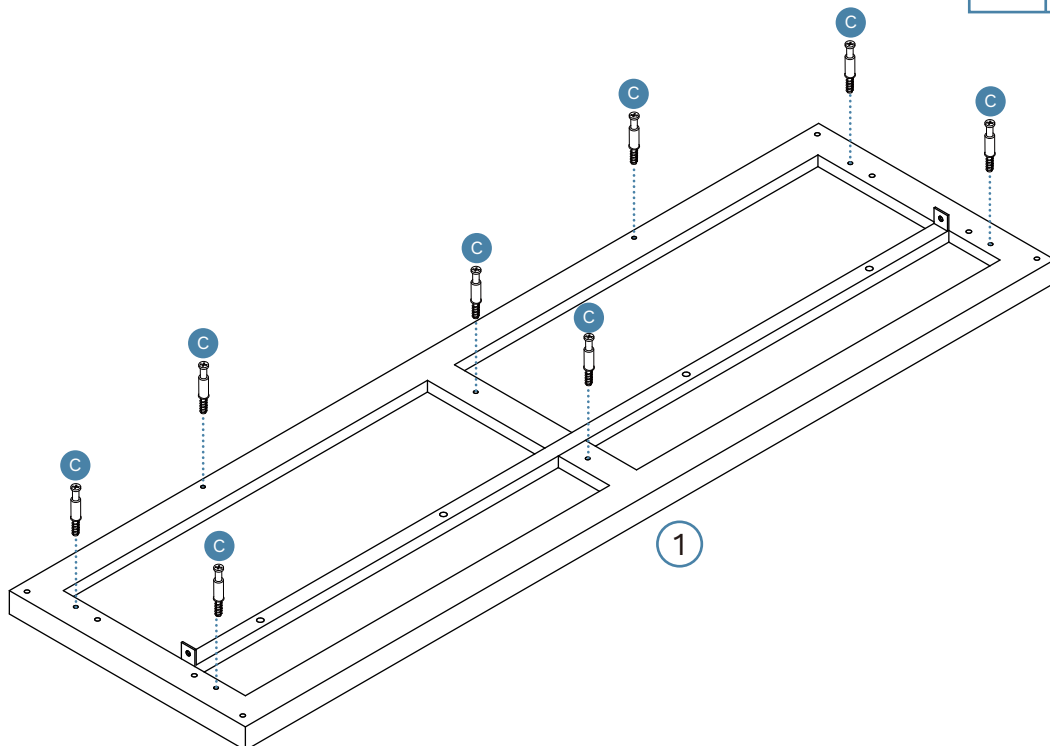
Console Table


9



Hardware Needed		
G		x4
I		x1

10

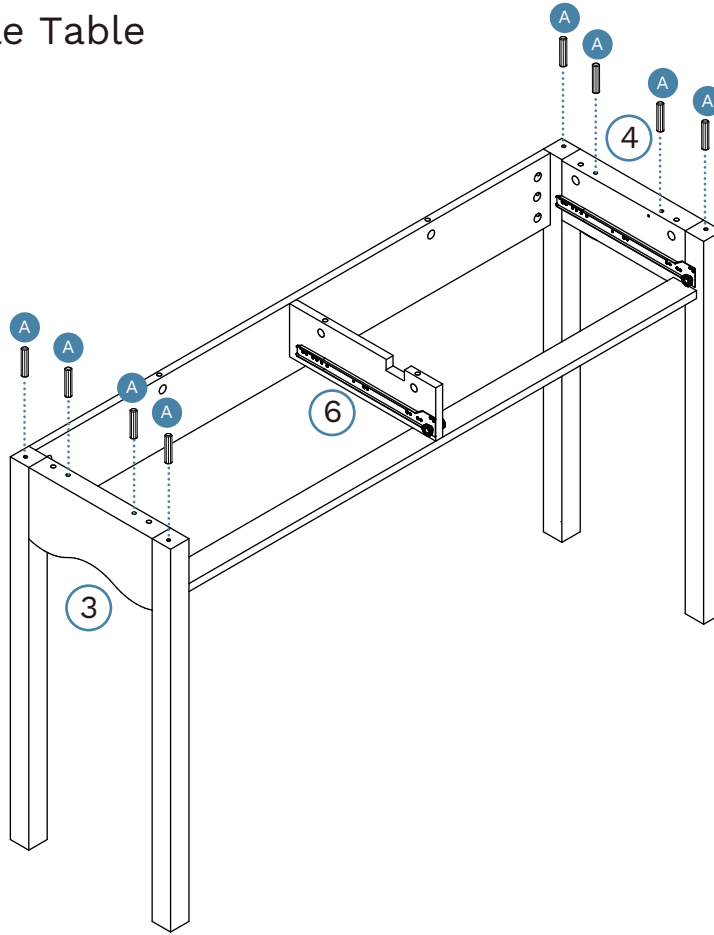


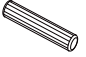
Hardware Needed		
C		x8

Malena

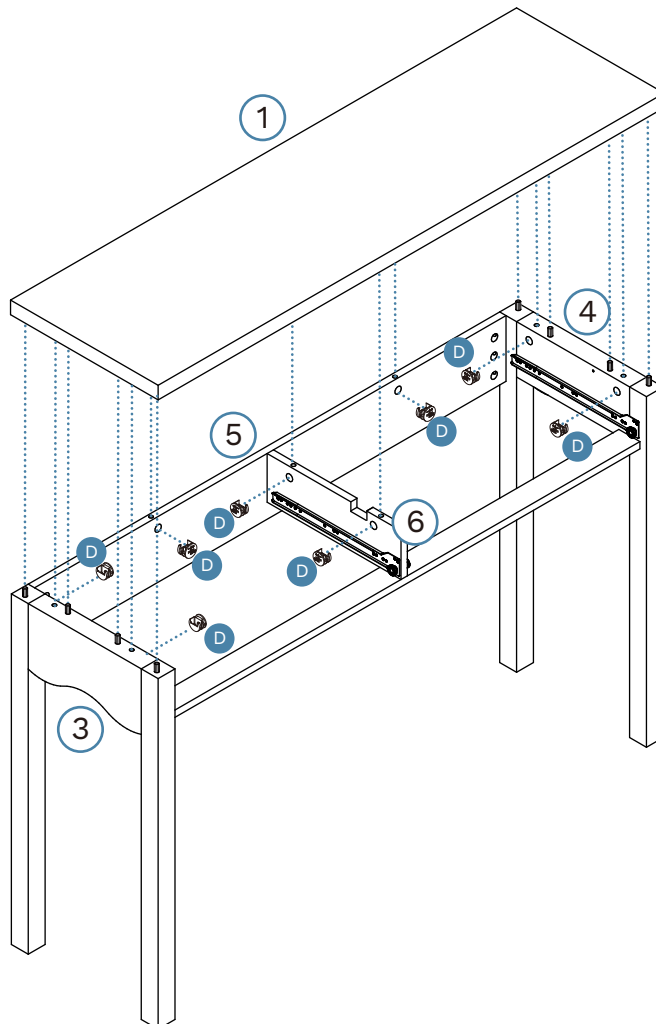
Console Table


11

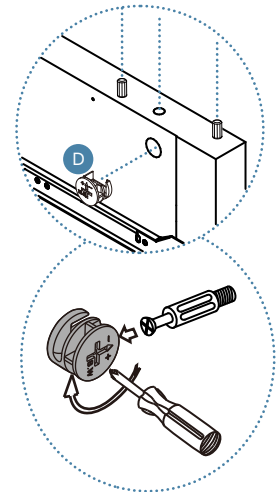


Hardware Needed		
A		x8

12



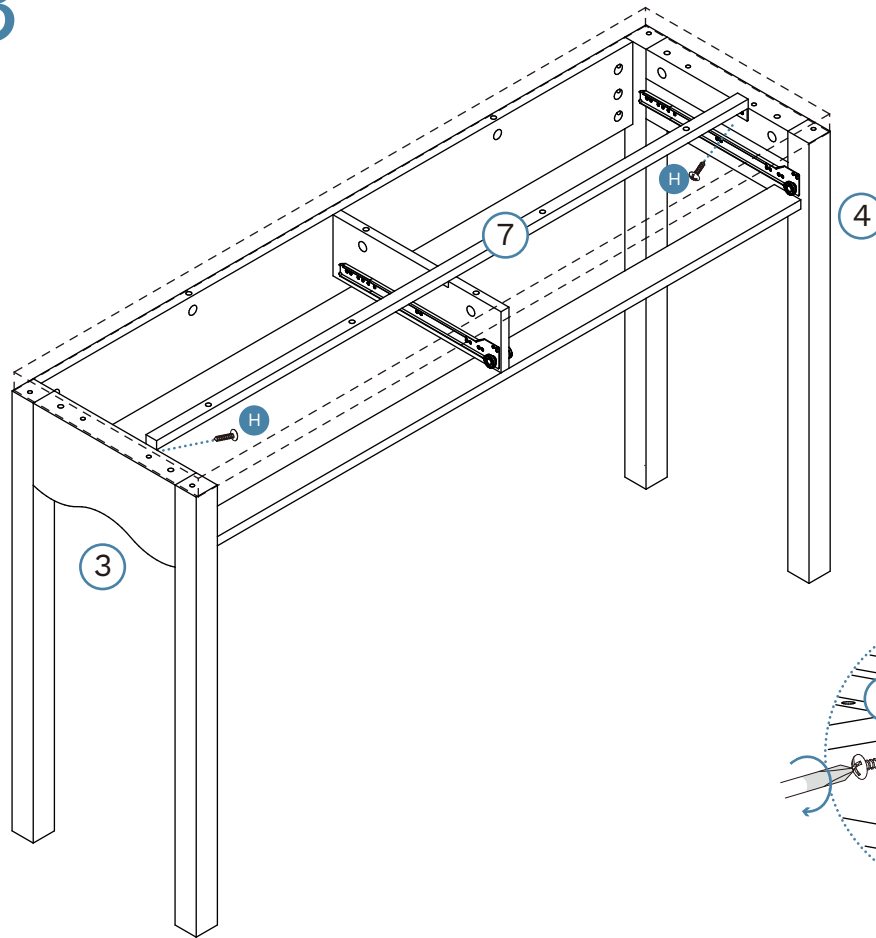
Hardware Needed		
D		x8




Malena

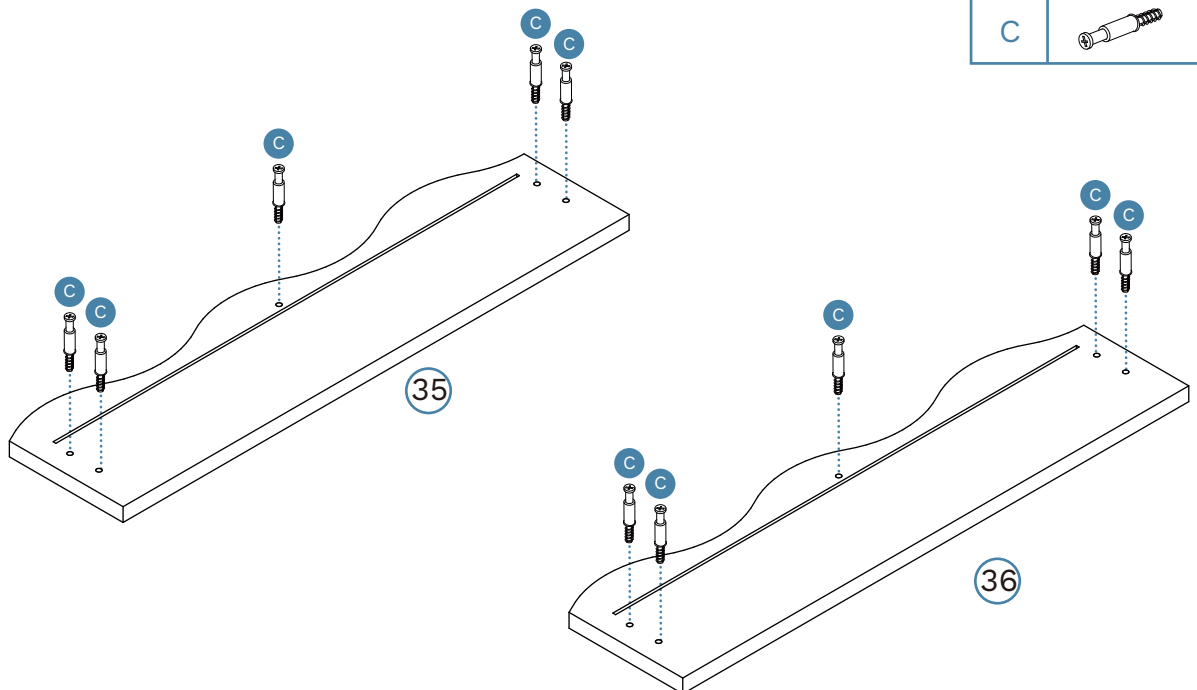
Console Table


13



Hardware Needed		
H		x2

14 Drawer x2




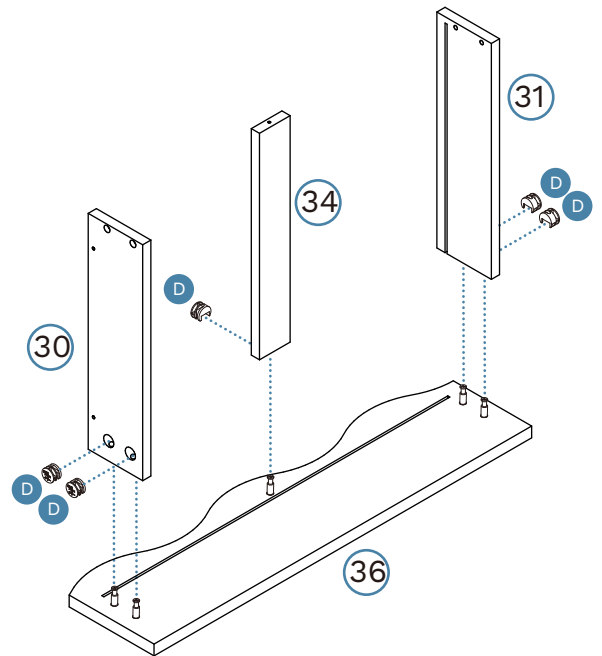
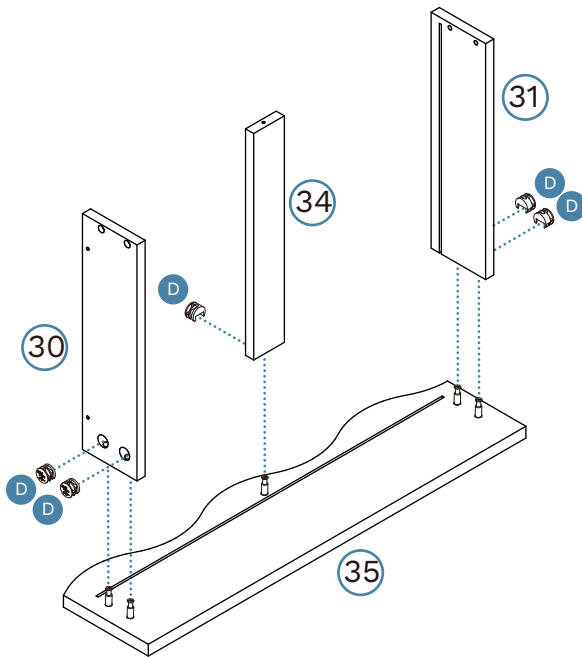
Hardware Needed		
C		x10

Malena

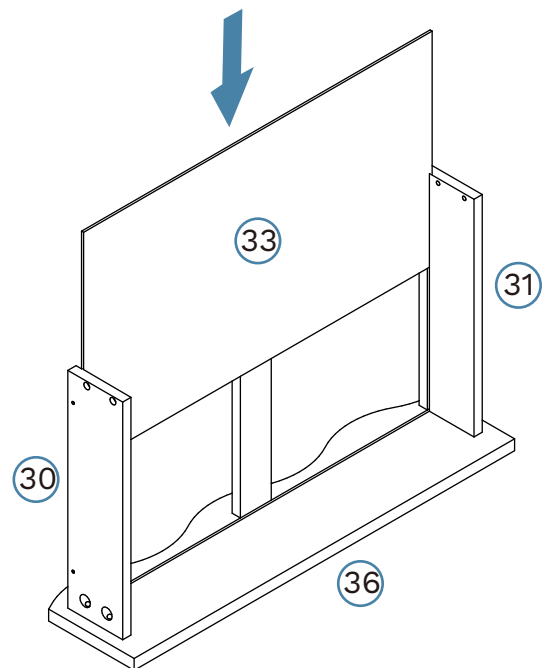
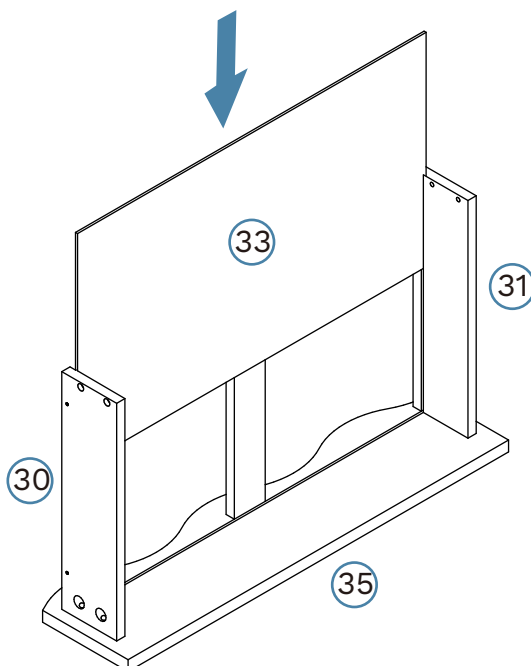
Console Table

15 Drawer x2

Hardware Needed		
D		x10




16 Drawer x2

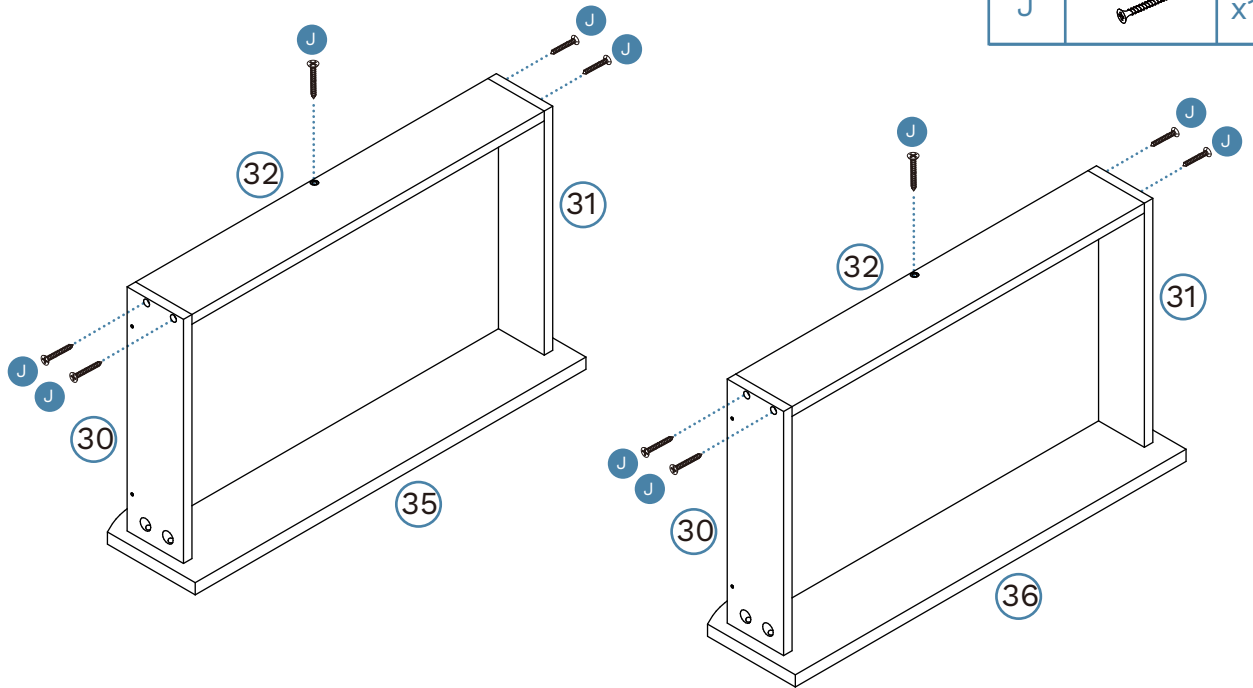


Malena




Console Table

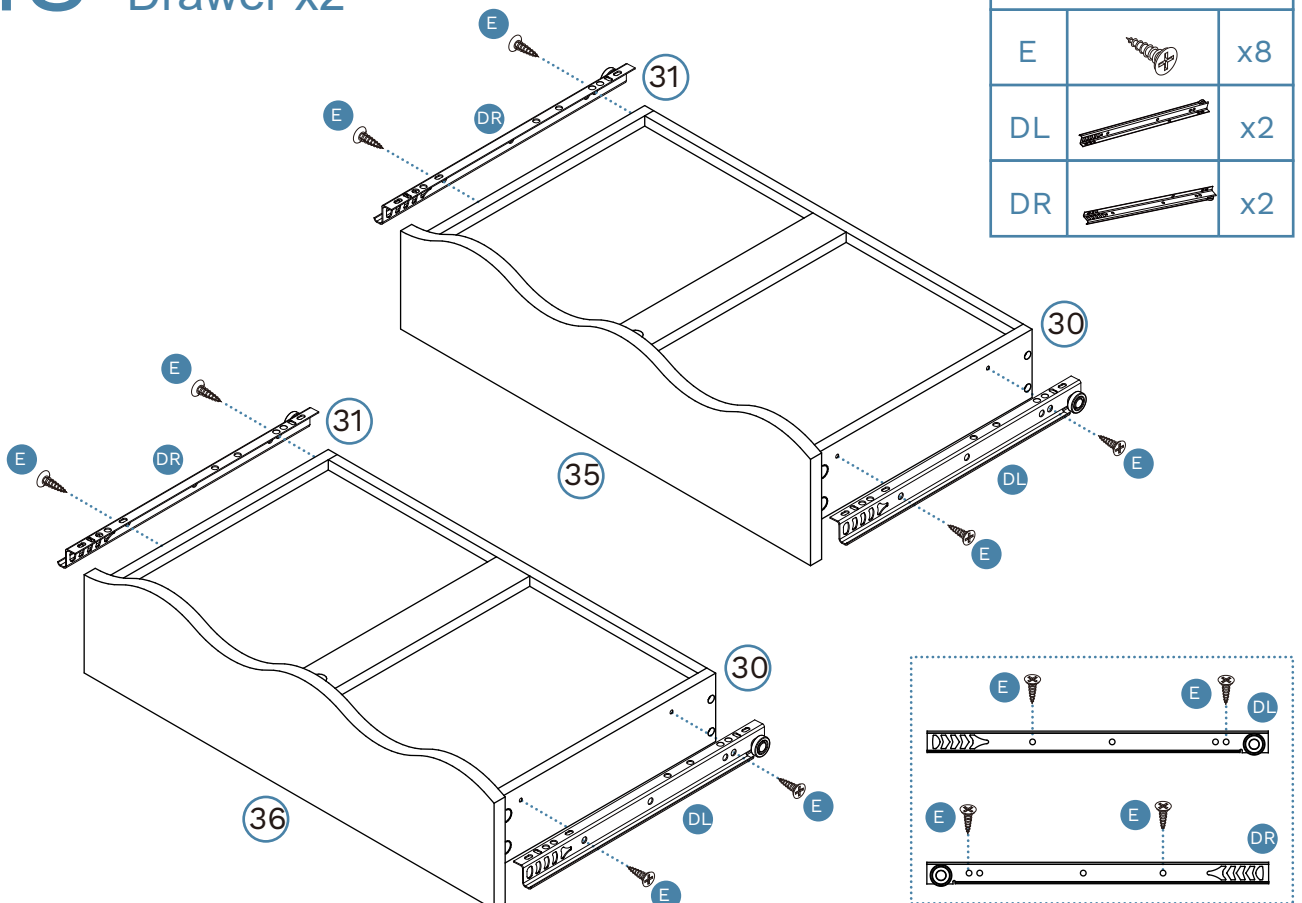
17 Drawer x2

Hardware Needed		
J		x10



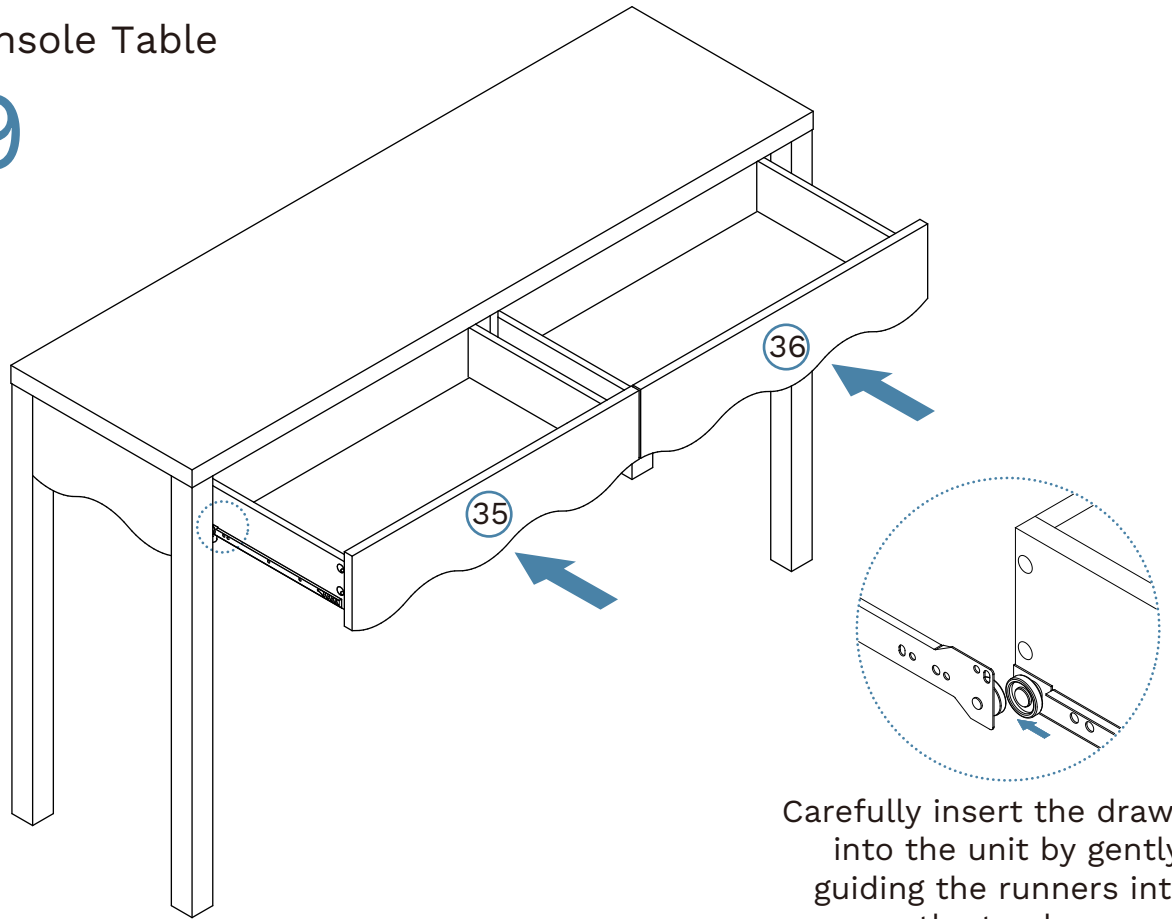
18 Drawer x2

Hardware Needed		
E		x8
DL		x2
DR		x2



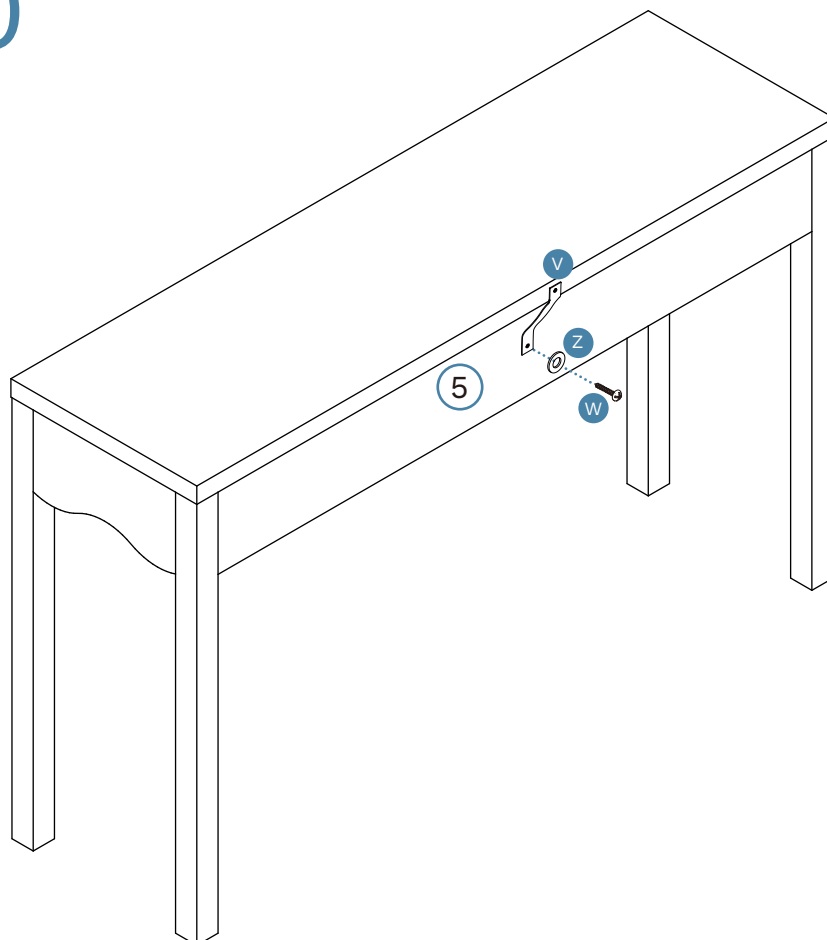
Malena
Console Table




19



Carefully insert the drawers into the unit by gently guiding the runners into the tracks.

20

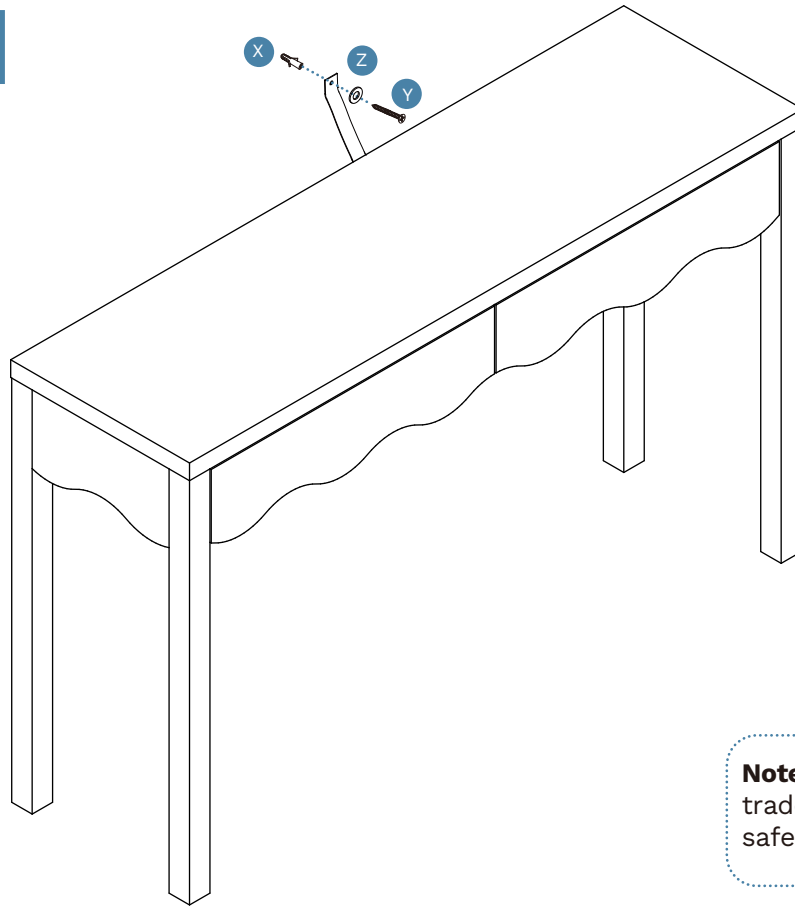


Hardware Needed		
V		x1
W		x1
Z		x1

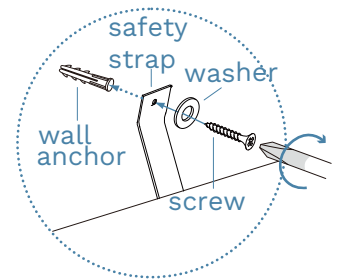
Malena

Console Table

21

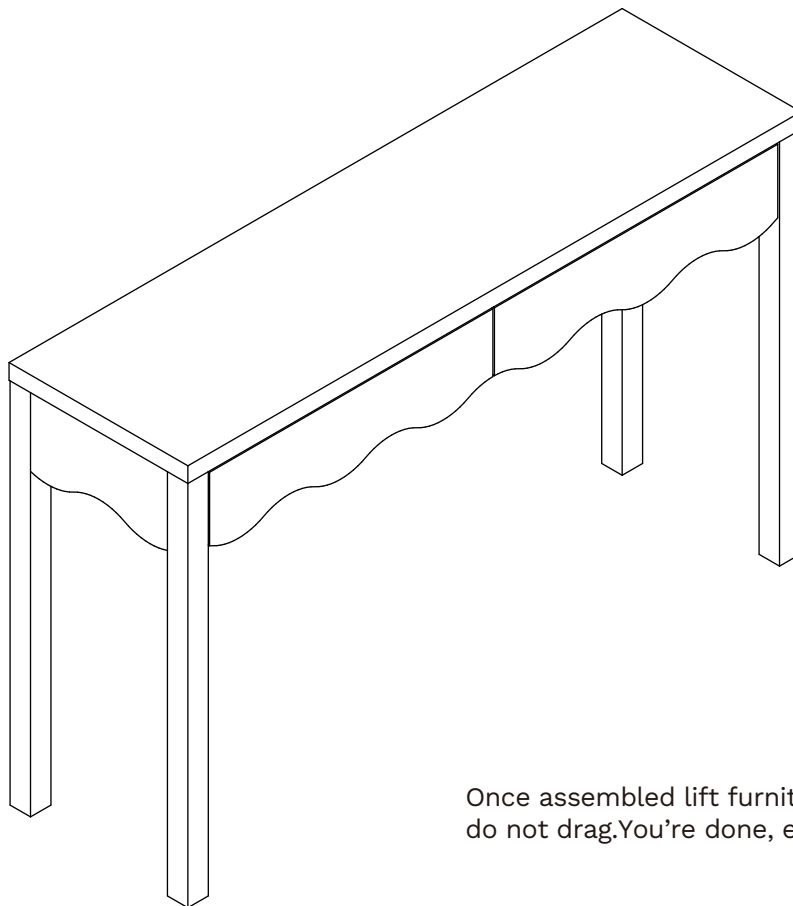


Hardware Needed		
X		x1
Y		x1
Z		x1



Note: Seek advice from a qualified trades person on how to attach this safety strap to your specific wall.

22



Once assembled lift furniture into place, do not drag. You're done, enjoy!